



C-T4 / C-T4BT

ATMOSPHERE WALL CONTROLLER

INSTALLATION GUIDE



1601 JACK MCKAY BLVD.
ENNIS, TEXAS 75119 U.S.A.

TELEPHONE: (800) 876-3333
SUPPORT@ATLASIED.COM

AtlasIED.com

C-T4 / C-T4BT

ATMOSPHERE WALL CONTROLLER

INSTALLATION GUIDE



INTRODUCTION

This guide provides the basic steps for installing the C-T4 / C-T4BT system wall controller.

This guide covers how to:

- Unpack the C-T4, mounting bracket, and included hardware.
- Prepare the wall or appropriate surface for installation.
- Mount the C-T4 to the wall.
- Wire C-T4 to Atmosphere AZM system controller.

Refer to the [Atmosphere Signal Processor User Manual](#) for more information.

SAFETY INSTRUCTIONS

Please Read Carefully Before Installing or Operating.

- Read all instructions carefully.
- Heed all warnings.
- Assure that the wall controller is securely mounted.



C-T4 / C-T4BT

ATMOSPHERE WALL CONTROLLER

INSTALLATION GUIDE



TABLE OF CONTENTS

Introduction & Safety	2
Summary of Steps	3
Step 1 - Unpack and Check Contents	4
Step 2 - Prepare Wall Mounting Locations	5
Step 3 - Mount Bracket and Pull Cable Through	6
Step 4 - Connect Category Cable to C-T4	7
Step 5 - Mount & Secure Controller to Wall Bracket	8

SUMMARY OF STEPS

- Step 1** – Unpack and check contents.
- Step 2** – Prepare wall mounting location.
- Step 3** – Mount bracket onto wall and pull category cable through bracket.
- Step 4** – Connect category cable to C-T4.
- Step 5** – Mount and secure controller to wall bracket.



C-T4 / C-T4BT

ATMOSPHERE WALL CONTROLLER

INSTALLATION GUIDE



STEP 1 - UNPACK AND CHECK CONTENTS

PACKAGE CONTAINS

ITEM		QUANTITY
A	C-T4 / C-T4BT touchscreen wall controller	1
B	Mounting bracket, 2-gang	1
C	Imperial mounting screw, 6-32, silver, (typical US)	4
D	Imperial mounting screw, 8-32, black	4
E	Metric mounting screw, M3, black	2
F	Metric mounting screw, M3.5, silver	2
G	Mounting bracket set screw	2
H	Microfiber cleaning cloth	1

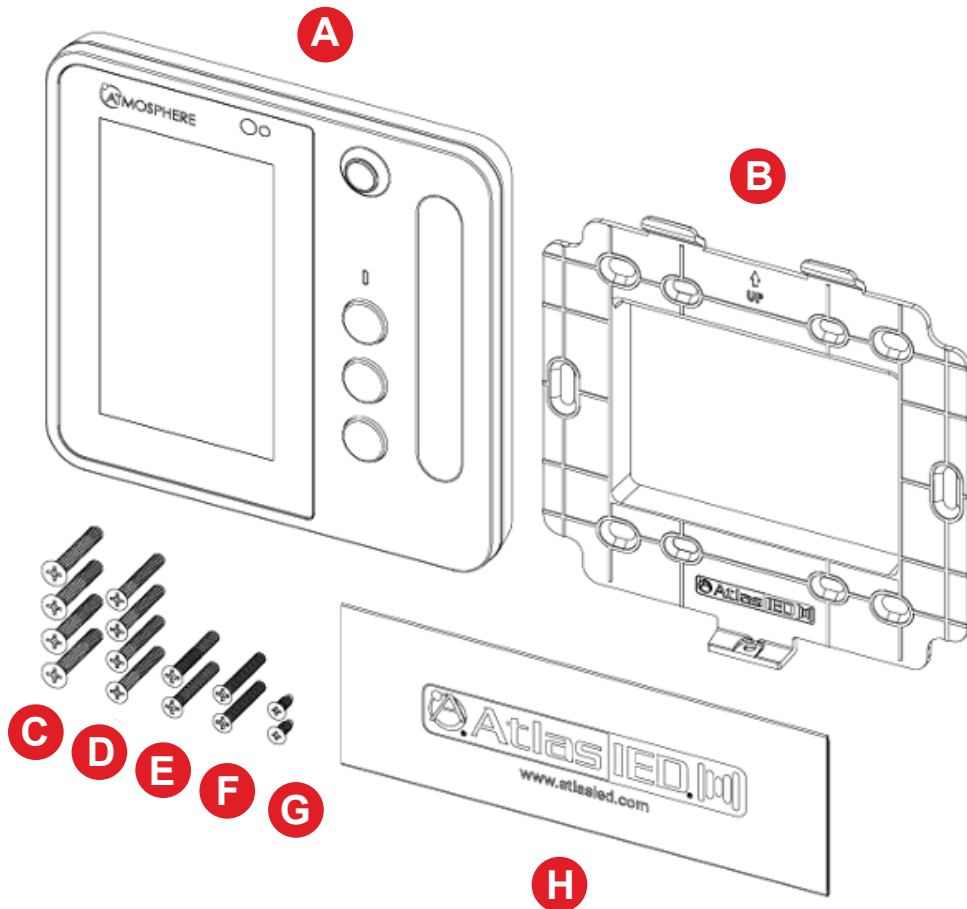


Figure 1

C-T4 / C-T4BT

ATMOSPHERE WALL CONTROLLER

INSTALLATION GUIDE



STEP 2 - PREPARE WALL MOUNTING LOCATIONS

Determine desired location for the controller and install an appropriate 2-gang wall box or open back low voltage bracket (**Figure 2**).

Ensure that there is at least 1.8 inches (46mm) of box depth to account for cabling.

Note: The C-T4 is a low voltage product, 48VDC, provided from the Atmosphere AZM system controller.

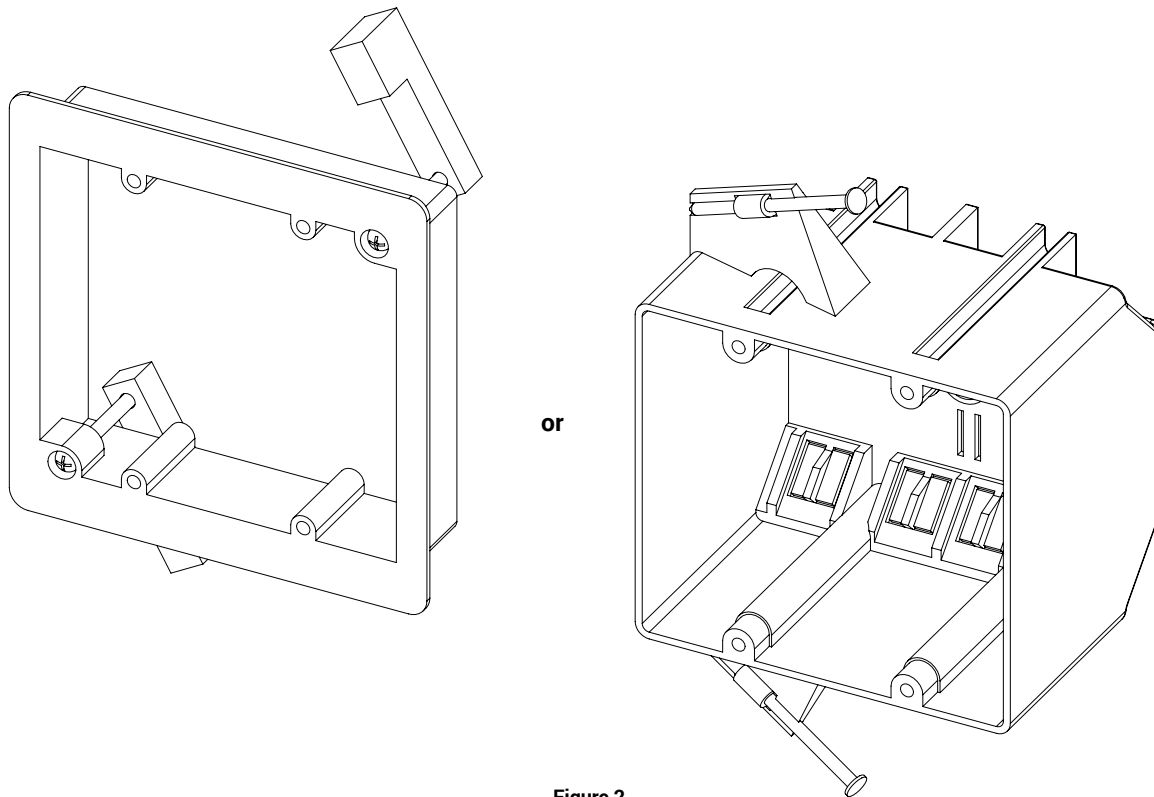


Figure 2

C-T4 / C-T4BT

ATMOSPHERE WALL CONTROLLER

INSTALLATION GUIDE



STEP 3 - MOUNT BRACKET ONTO WALL AND PULL CATEGORY CABLE THROUGH BRACKET

Mount the bracket onto the wall box horizontally using the appropriate included screws for your type of wall box. Ensure proper orientation by observing the "UP" arrow towards the top of the bracket. Pull the accessory cable through the bracket and ensure sufficient length work with **(Figure 3)**.

Note: The Atmosphere accessories must be connected using CAT5e or CAT6 (non-shielded) network cable with T-568B or A wiring. Pre-made network cables must be pin-to-pin. Do not use cross-over network cables. Always use best practices while terminating RJ45s to cables, keeping pairs twisted up to the connector. Avoid tight bends and kinks in the wire path.

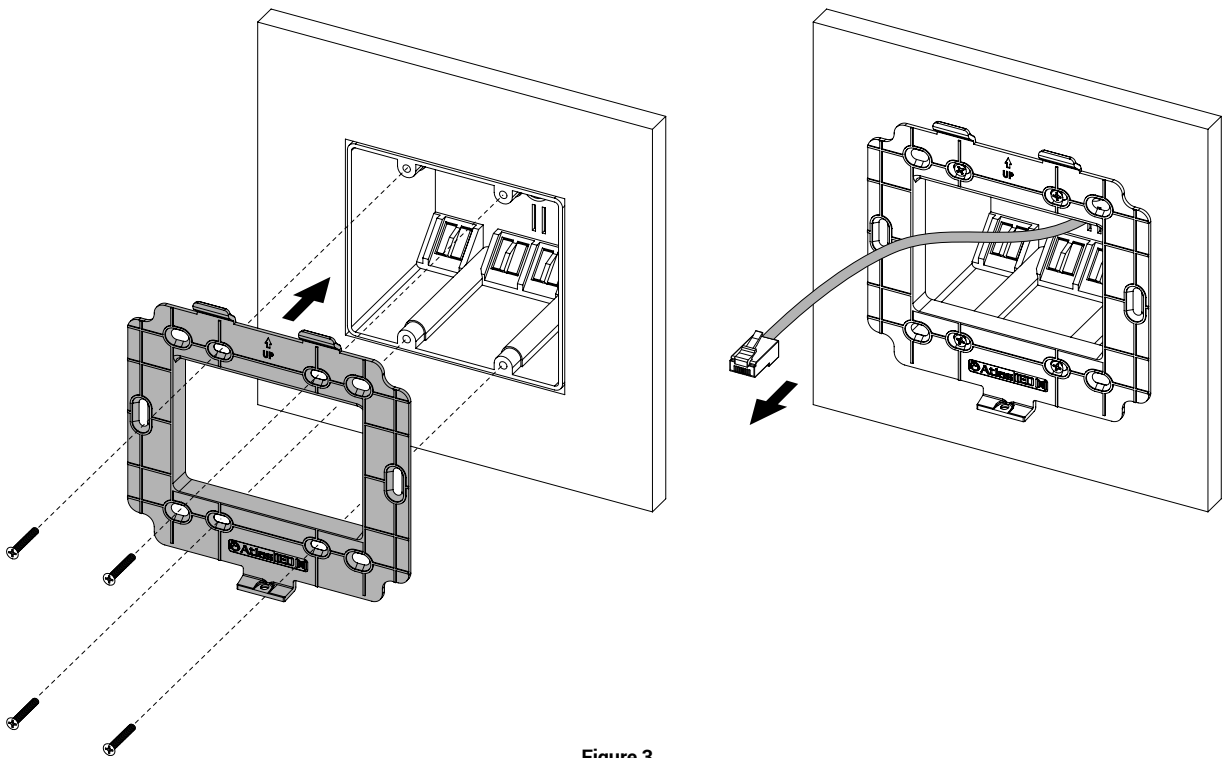


Figure 3

C-T4 / C-T4BT

ATMOSPHERE WALL CONTROLLER

INSTALLATION GUIDE



STEP 4 - CONNECT CATEGORY CABLE TO C-T4

Connect the accessory cable to the "IN" port on the back of the controller. If daisy-chaining additional accessories downstream, connect a second accessory cable from the "OUT" port to additional devices (**Figure 4**).

Note: Only one audio accessory can be connected per Accessory port when daisy chaining accessories. Audio accessories include the C-T4BT, X-ZPS, A-RCA, A-BT, and A-XLR.

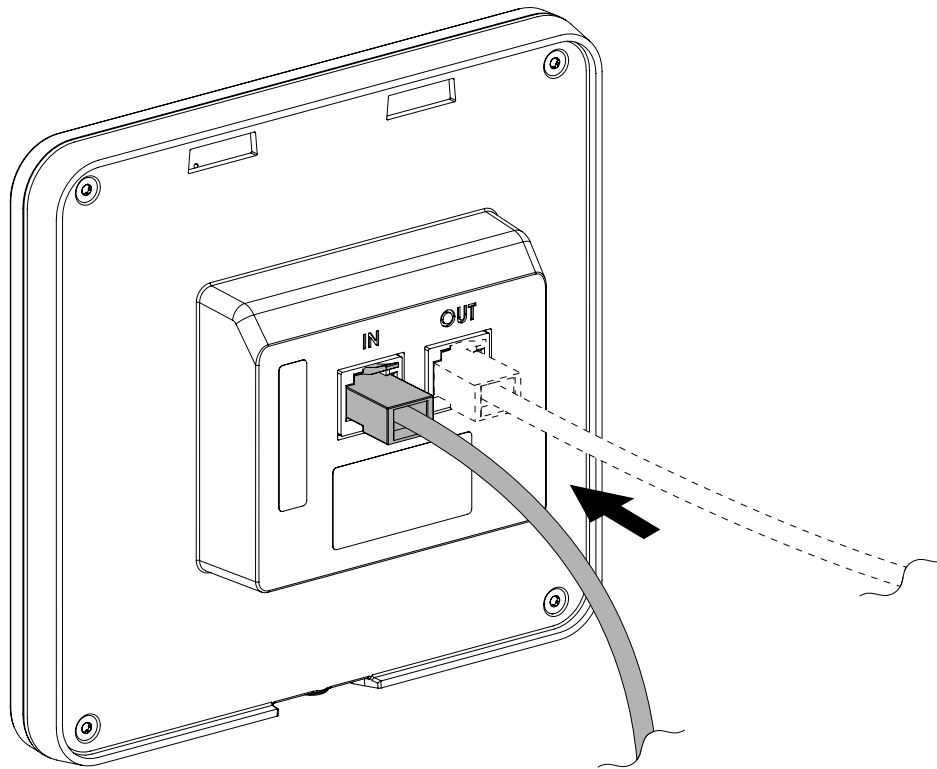


Figure 4

C-T4 / C-T4BT

ATMOSPHERE WALL CONTROLLER

INSTALLATION GUIDE



STEP 5 - MOUNT AND SECURE CONTROLLER TO WALL BRACKET

Hook the controller onto the wall bracket using the two slots on the back of the controller (**Figure 5**).

Secure controller to the bracket using the included set screw at the bottom of the controller (**Figure 6**).

Note: Packaging contents include two set screws, but only one is needed.

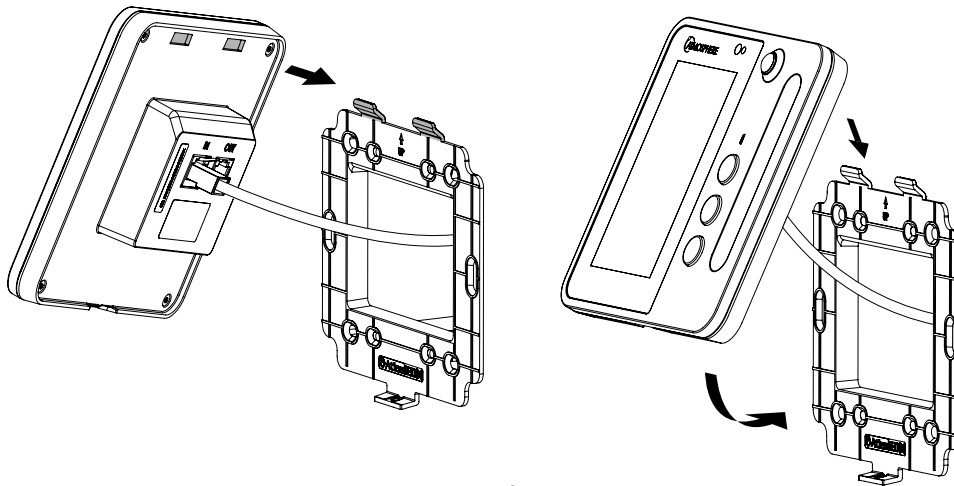


Figure 5

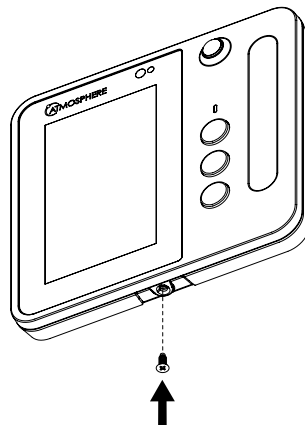


Figure 6



©2025 Atlas Sound L.P. The Atlas "Circle A", Sounddoler, and Atlas Sound are trademarks of Atlas Sound L.P. IED is a Registered Trademark of Innovative Electronic Designs LLC. All rights reserved. All other Trademarks are property of their respective owners. No endorsement is implied. Due to continual product development, specifications are subject to change without notice. AT3008285 RevA 03/25